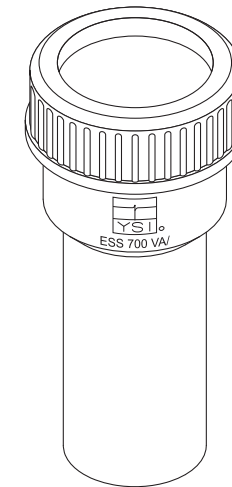




a xylem brand

## Installation instructions

## ESS 700 VA/N



Weld-in socket

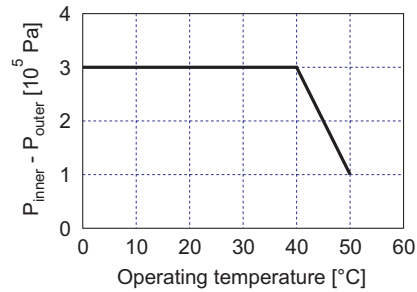
## Technical data

**Operating temperature**

0 ... +50 °C (32 ... 122 °F), frost-free

**Operating pressure**

Maximum allowed pressure difference,  $P_{\text{inner}} - P_{\text{outer}}$ , depending on the operating temperature:



The welding socket meets the requirements according to article 3(3) of the 97/23/EC directive ("Pressure equipment directive").

**Dimensions**

Overall length without stopper	142 mm
Outside diameter	60 mm
Connection thread	G2" external thread

**Materials**

Welding socket, closing plate, coupling nut	Stainless steel 1.4571
O-ring	NBR 70

**Minimum size of pipe/container**

Pipe diameter DN 80, or a distance of 80 mm to the wall opposite.

## Installation notes

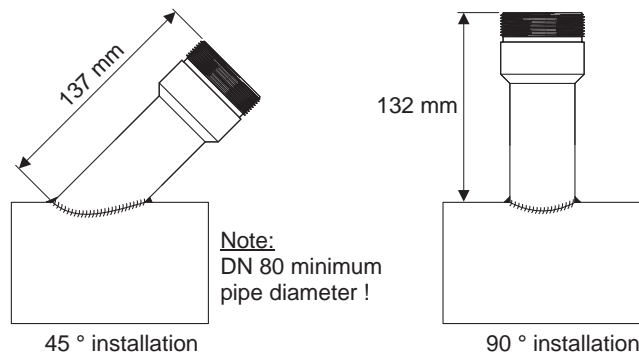


### Warning

Improper welding of the welding socket can lead to severe injury of personnel and damage to property. Note the following points in this regard:

- Only allow trained qualified personnel to carry out mounting activities.
- Remove the O-ring before the welding. The impact of heat could damage the O-ring.
- Provide sufficient corrosion protection, depending on the material and operating conditions (e. g. rehandle the welded joint professionally, paint surfaces).

### Mounting sketch/ installation depth



The installation depths given in the mounting sketch are valid for all sensors.

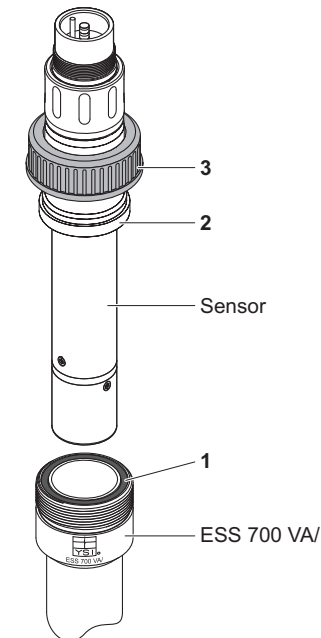


### Note

The position of the sensor in the container or pipe possibly affects its function. For an optimum function, we recommend to meet certain criteria for each sensor type (e. g. mounting angle, flow direction, minimum distance from walls). You can find these recommendations in the installation manual of the sensor-specific sensor adapter. Apart from this, take into consideration the space required by the sensor and make sure it is easily accessible to operating and maintenance personnel.

## Mounting the sensor

### Mounting the sensor (example)



- 1 Check the O-ring (1) for an immaculate condition and grease it with a thin film of O-ring grease.
- 2 Insert the sensor together with the mounted sensor adapter (2) in the welding socket.
- 3 Screw the coupling nut (3) on the welding socket up to the stop. If necessary, thread the sensor cable through the coupling nut beforehand.



### Note

To enable later dismantling without problems, the thread must be clean (especially free of sand). We recommend to grease the thread with a bit of O-ring grease or to apply Teflon tape.